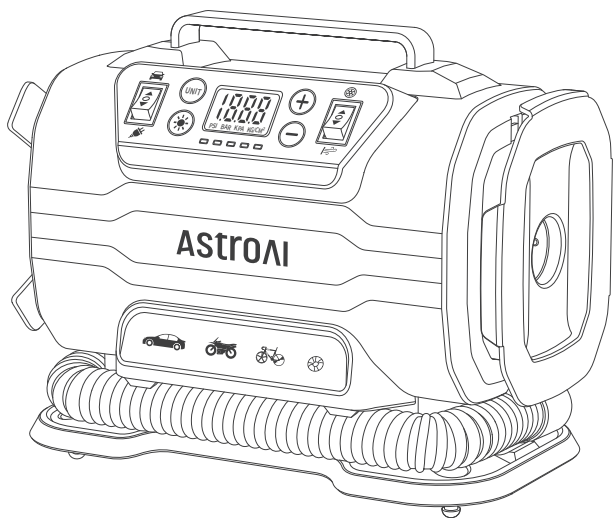


AstroAI



ATJ-8366

MULTIFUNCTIONAL
AIR COMPRESSOR

USER MANUAL

INTRODUCTION

Thank you for purchasing the AstroAI AC/DC Multifunctional 2 in 1, Portable Air Compressor.

This air compressor is equipped with dual motors, providing rapid inflation. This product is compatible with AC and DC power supplies, suitable for various inflation needs. It can inflate regular tires and other large inflatable objects. Once the preset air pressure is reached, the Air Compressor will automatically shut off.

Thank you again for choosing AstroAI, if you have any questions or concerns regarding your product, please contact us via support@astroai.com



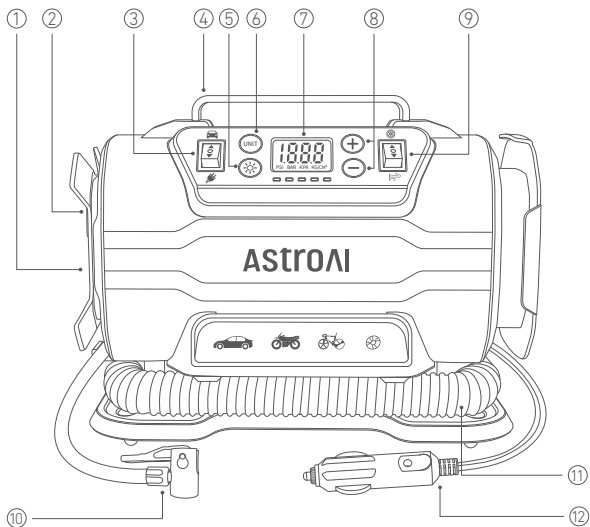
Please fully read and understand this manual before using this product and keep this manual for future reference.

WARNING

- Please read the instructions carefully before use. Incorrect usage may damage the product.
- Please practice electrical safety while using this product.
- Do not use the product for unintended purposes.
- Do not place the air compressor near any heat sources, such as vehicle exhaust pipes.
- Do not use the product near any flammable liquids or gases.
- Do not disassemble the air compressor.
- Ensure the air compressor is intact before use, do not use it if it is damaged please.
- Do not use the compressor if it is damaged or if its wires are exposed, doing so poses risk of electric shock.
- Do not overinflate tires. Excessive pressure may cause injury.
- Keep out of reach of children.
- Keep the device away from fire, corrosive gases, liquids, and strong magnetic fields.
- Check the preset pressure value before use. The preset pressure value should match the object to be inflated.
- Do not store the air compressor in high-temperature or humid environments.
- When not in use, disconnect the air compressor from all power sources.

- The air nozzle is compatible with all Schrader Valves. For use with cars, midsize SUVs, motorcycles, and bicycles. The large-volume hose is only for inflating and deflating low-pressure, large-capacity objects.
- During use, do not touch any part of the air compressor apart from the switch and handle. The air compressor gets hot during use and stays hot for some time after.
- Please let the pump cool for at least 10 minutes after every 15 minutes of use.
- PSI, Bar, kPa, kg/cm² are the pressure units, not the pressure levels.
- Please do not use this product in the rain or near any liquids.
- Do not aim the nozzle at people or any part of a human body.
- This product contains small accessories which are a choking hazard for children. Please keep out of reach of children.
- Do not use this product with 24 V car power. Connect the air compressor to a 12 V 15 A DC cigarette lighter.
- Do not drag the product by pulling the power cord or the air hose.
- Do not use chemical cleaners to clean the air compressor. Only use mild soap and a cloth dipped in hot water to clean the plastic parts.
- If the attachments are missing or damaged after the package is delivered, please contact us.

DIAGRAM



① Accessory Compartment

② LED Light

③ AC/DC Power Switch

④ Handle

⑤ LED Button

⑥ Unit Button

⑦ Screen

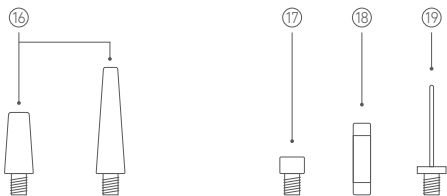
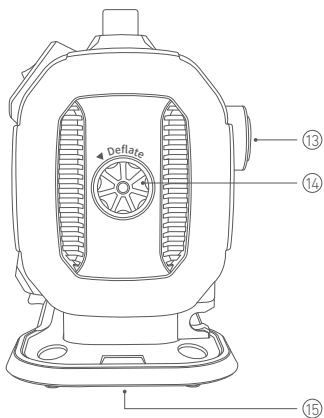
⑧ "+" & "-" Buttons

⑨ Mode Switch

⑩ Quick Connector

⑪ Large-Volume Hose

⑫ 12 V Cigarette Lighter Cable



⑬ Large-Volume Inflate Port

⑰ Presta to Schrader Adapter

⑭ Large-Volume Deflation Port

⑱ Replacement Fuse

⑮ AC Power Cord

⑲ Needle Valve Adapter

⑯ 2 x Air Nozzles

PACKAGE INCLUDES

AstroAI Air Compressor	×1	Air Nozzles	×2
Needle Valve Adapter	×1	Replacement Fuse	×1
Presta to Schrader Adapter	×1	Large-Volume Hose	×1
User Manual	×1		

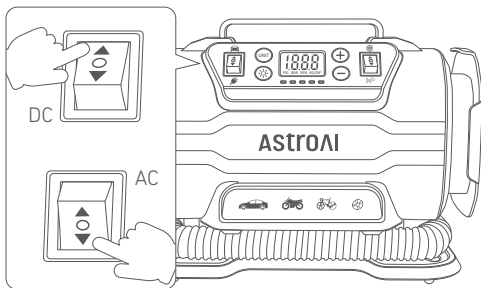
INSTRUCTIONS

Tire mode

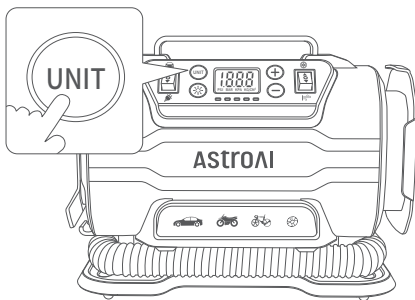
Note: Ensure that your car engine is running before you use it.

1. Firmly insert the compressor's DC power cable into the car's 12 V cigarette lighter socket. Press the power switch upward to the DC side, the screen will light up when it is powered.

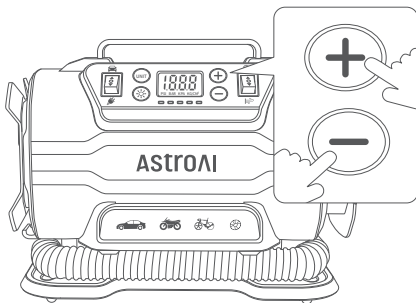
(If you are using AC power, press the power switch downward to the AC side.)



2. Press the Unit Button to choose the desired unit.
(4 options: PSI, Bar, kPa, kg/cm².)

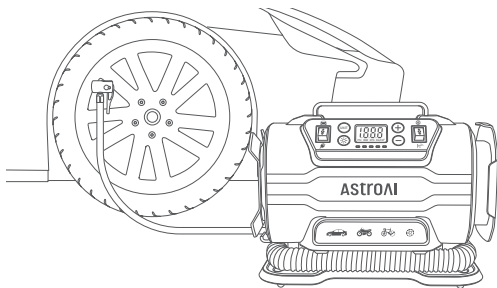


3. Use the "+" and "-" buttons to set the desired pressure.
Use the tire pressure guide on the inside of the driver's door for guidance. Make sure that the preset pressure is higher than the current pressure of your tire.

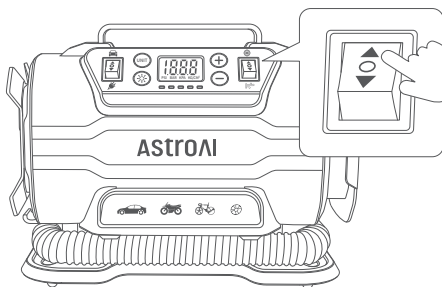


4. Remove the valve cap from the valve stem of the tire and connect the air nozzle to the valve stem. If you need to illuminate the surrounding area, press the LED Button.

Tip: For better sealing when using the quick connector, align it to the valve stem, press it in firmly, and flip the small lever.

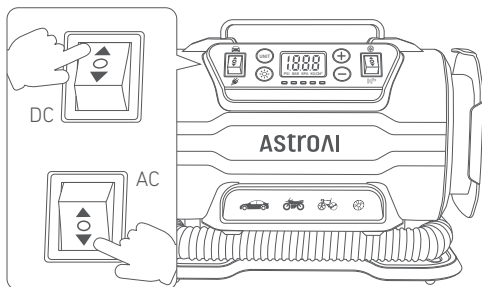


5. Press the mode switch to the "▲" side to start tire mode.

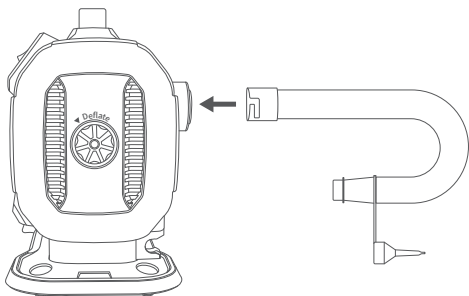


Large-Volume Mode

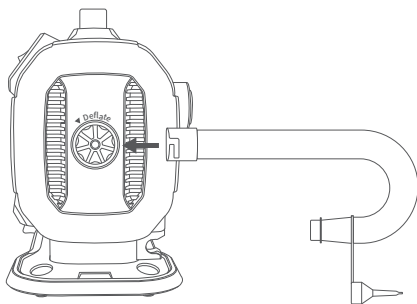
1. Firmly insert the compressor's DC power cable into the car's 12 V cigarette lighter socket. Press the power switch upward to the DC side, the screen will light up when it is powered. (If you are using AC power, press the power switch downward to the AC side.)



2. Align the hose with the port's buckle and turn it counterclockwise until it stops.

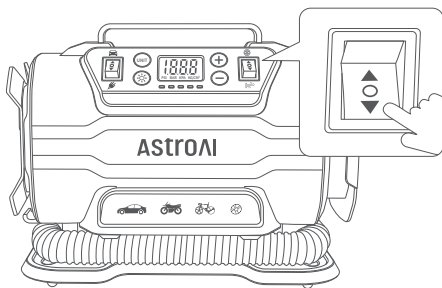


Note: To deflate, insert the hose as instructed in the picture.



3. Insert the nozzle into the object to be inflated.

4. Press the mode switch to the "▼" side to start large volume mode.



TROUBLESHOOTING

Trouble **Air Compressor is Operating Abnormally**

- Solution**
- The inflation nozzle is not properly connected to the tire's valve stem.
 - Ensure there is a strong connection between the power cord and 12 V socket.
 - The preset tire pressure is lower than the current tire pressure. Increase the preset tire pressure to the manufacturer recommended level.
 - Ensure the large volume hose is inserted correctly.

Trouble **Air Compressor Will Not Inflate**

- Solution**
- Ensure the in-line fuse is securely inserted correctly; replace the fuse if necessary.
 - Check the vehicle's cigarette lighter fuse, it should be rated at 15 A.
 - Ensure there is a secure connection between the power cord and 12 V socket.
 - Ensure the AC plug is plugged into the AC socket firmly.
 - The preset tire pressure is lower than the current tire pressure. Increase the preset tire pressure to the manufacturer recommended level.
 - Ensure the tire mode/large-volume mode switch is in the correct position.

Trouble **Air Leaking Through The Hose**

Solution Ensure there is a strong connection between the inflation nozzle and valve stem.

Trouble **Slow Inflation**

Solution • The inflation nozzle is not properly connected to the tire's valve stem.

- Excessive use will slow the inflation rate of the air compressor. Turn it off and let it cool for at least 10 minutes.

SPECIFICATIONS

Model: ATJ-8366

Working Voltage: DC 12 V/AC 110 V~240 V 50/60 Hz

Power Rating: 120 W

Inflating Speed: 22 L/MIN

Maximum Working Pressure: 150 PSI

Display Units: PSI, Bar, kPa, kg/cm²

Maximum Current: 15 A

Inflation Hose Length: 2.29 ft (0.7 m)

Power Cord Length: DC 9.84 ft (3 m) / AC 9.18 ft (2.8 m)

Dimensions: 11.8 × 6.3 × 10.2 in (0.3 × 0.16 × 0.26 m)

Certificate: CE, FCC

FEATURES

- AC/DC, two types of power supply.
- Tire mode and large-volume mode.
- Auto Shutoff: Once the preset air pressure is reached, the air compressor will automatically shut off.
- LCD Screen: Easy to operate, read and understand.
- Longer Power Cords: AC 9.18 ft (2.8 m), DC 9.84 ft (3 m).
- Portable Design: Easy to carry and store in a car.
- Power Cut Memory Function: Automatically recalls the previously set pressure.
- LED light provides illumination in dark environments.

RECYCLING

You may dispose of the product when its service life has ended, please recycle the recyclable parts according to local guidelines.

WARRANTY PERIOD

2 Year Limited Warranty From AstroAI

Each AstroAI Portable Air Compressor will be free from defects in material and workmanship.

This warranty does not cover damage from neglect, misuse, contamination, alteration, accident, or abnormal conditions of operation or handling. This warranty covers the original purchaser only and is not transferable.

AstroAI always wants to provide our customers with excellent products and customer service.

Questions or concerns? We're happy to help!

Please contact us via support@astroai.com

AstroAI

Web: www.astroai.com

E-mail: support@astroai.com

V1.2