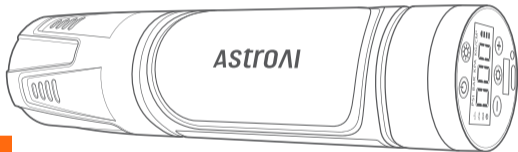


# Astromi



**OK81**

PORTABLE RECHARGEABLE BATTERY  
AIR COMPRESSOR

**USER MANUAL**

## NOTE

The air compressor is mainly for tire and sports balls inflation. It will automatically shut off once it detects there's no air pressure change of the product after one minute of operation.



Please fully read and follow this manual before using this product and keep this manual for future reference.

## **INTRODUCTION**

Thank you for purchasing the AstroAI Smart Portable Air Compressor.

This compact product is designed to inflate the tires of automobiles of all kinds, as well as bicycles, motorbikes and various sports balls, all with easy operation. This versatile product can also be used as a flashlight and power bank!

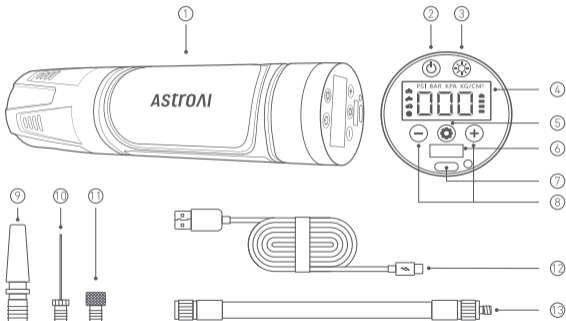
We hope you enjoy your AstroAI Smart Portable Air Compressor!

## WARNING

- Do not leave the product while it is in operation. The product should not be operated in the absence of supervision.
- Do not place the product near flammable or explosive items.
- Avoid operating the product in excessively humid or dusty environments. Avoid placing the item where it might easily fall.
- We do not recommend continuously using the product for more than 12 minutes without a cool down period. Extended use beyond 12 minutes is likely to lead to overheating, which may cause long-term damage to the product or even personal injury. Please cool down the product for 15 minutes after working 12 minutes of continuous use. Extended use is not recommended!

- The temperature of the connecting part between the air compressor and hose will heat up after the inflation. To avoid the risk of burns, please wait and detach it when it has cooled.
- Please do not throw the product into any fire, nor throw it anywhere, for that matter.
- The product may produce noise around 75 db (decibels); please use it in suitable environments only.
- This product is for adult use only.

# PRODUCT DIAGRAM



- ① Air Compressor
- ② Power Button
- ③ LED Button
- ④ LCD Screen
- ⑤ Settings Button
- ⑥ USB Output Port
- ⑦ Type-C Charging Port
- ⑧ "+" Button "-" Button
- ⑨ Plastic Nozzle
- ⑩ Needle Valve Adapter
- ⑪ Presta Adapter
- ⑫ Type-C Charging Cable
- ⑬ Air Hose

## PRODUCT SIZE/DIMENSIONS

2.2 in × 2.2 in × 9.1 in/56 mm × 56 mm × 231 mm

# INSTRUCTIONS

## Charging Method

- Use a 5 V 2 A charger to charge the product (Purchase separately.)  
We recommend using the 5 V 2 A charger head (purchased separately) and the Type-C cable to charge the product.
- The indicator light will turn into red during charging, and will turn into green when it's full charged.

## Turning the Product On and Off

- Press and hold the Power Button for 2 seconds to turn the product on.

- Press and hold the Power Button for 2 seconds to turn the product off. The product will auto shut-off in one minute when no operation is detected. When in low battery, the product will auto shut off, too.

### **Selecting Unit/Mode**

- When the product is on, press and hold the Settings Button to scroll between the four available unit measures: PSI, Bar, kPa, kg/cm<sup>2</sup>.
- When the product is on, short press the Settings Button to switch the four preset inflation modes: bike mode, motor mode, car mode, basketball mode.

### **Preset the Pressure Value**

When the product is turned on, press the “+” or “-” button to adjust the pressure value slowly, or press and hold the “+” or “-” button to adjust the pressure value quickly. Once the desired air pressure value is set, the value will flash three times and auto-set.

### **Air Hose Connection**

Connect one end of the air hose to the air compressor and tighten it clockwise; then tightly connect the other end to the valve.

## **Start Inflating**

Press the Power Button to start inflation. The screen will display the pressure in real-time. During inflation, the product may produce noise. A long time operation will heat the air hose. Avoid touching the air hose and the connector with bare hands too soon after use.

## **Stop Inflating**

- Once the pre-set air pressure is reached, the AstroAI smart portable air compressor will automatically shut off.
- Short-press the Power Button to stop the inflation.

## **LED Illumination**

Press the LED Button to turn on/off the LED light.

## **Pressure Measurement**

When the air hose is connected to the object to be inflated, the real-time pressure value will be displayed on the screen once the product power is powered on.

## **Power Bank**

The product's USB output port is designed to allow you to charge devices.

## TROUBLESHOOTING

- If the product will not turn on, please check the battery level. The rechargeable battery may discharge when idle.
- The product may heat up after extended use as the air compressing process generates heat.
- If the product does overheat, it may turn itself off and/or fail to turn on. This is probably simply the built-in overheating protection safety measure automatically initiating itself. Please allow the product a 15-minute cool-down period before attempting to use the product again.
- It is normal for the product to produce around 75-db (decibels) of noise during use.

- The capacity and service life of the battery will be affected in a low-temperature environment. This is a normal situation (to be avoided if possible).

## **MAINTENANCE**

- Keep the product in a cool, dry place. Avoid storing the product (or leaving it for an extended period of time) in direct sunlight.
- The product uses lithium batteries. Please charge the product to 50%-80% battery level before long time storage. Keep the product in a dry and cool place. To extend the service life of the battery, charge the product once every 3 months.

## SPECIFICATIONS

Model	OK81
Product	Portable Rechargeable Battery Air Compressor
Input Voltage	DC 5 V
Working Voltage	DC 11.1 V
Power	<60 W
Battery Capacity	1500 mah × 3
Inflation Efficiency	185/70 R14 10 Min
Maximum Pressure	150 PSI
Working Temperature	32-140 °F/0-60 °C

## PACKAGE INCLUDES

Air Compressor	x 1	Plastic Nozzle	x 1
Air Hose	x 1	Needle Valve Adapter	x 1
Type-C Cable	x 1	User Manual	x 1
Presta Adapter	x 1		

## RECYCLING

You may dispose of the product when its service life has ended, please recycle the recyclable parts according to local guidelines.

## WARRANTY PERIOD

### **2-Year Limited Warranty from AstroAI.**

Each AstroAI Portable Air Compressor will be free from defects in material and workmanship. This warranty does not cover damage from neglect, misuse, contamination, alteration, accident, or abnormal conditions of operation or handling.

This warranty covers the original purchaser only and is not transferable.

Questions or concerns? We're happy to help!

**support@astroai.com**

# AstroAI

Web: [www.astroai.com](http://www.astroai.com)

E-mail: [support@astroai.com](mailto:support@astroai.com)

- v2.1 -